

→
REF. EL05
ELECTRIC TREATMENT TABLE



TECHNICAL FEATURES



3 -section table

Length:	195 cm
Width:	66 cm
Height:	50-94 cm
Weight:	77 kg
Max. Load:	250 kg
Motors:	2
Foam thickness:	5 cm
Density:	36 kg/m ³
Upholstery:	PVC ● ●
Optional colors:	○ ● ● ● ● ●

MOTOR FUNCTIONS



- Height (flat position): 50-94 cm
- Trendelenburg 25°

MANUAL FUNCTIONS



- Headrest (-42° to +45°) inclination by gas lift
- Footrest (0° to +70°) inclination by gas lift
- Adjustable armrests

INCLUDES



- Peripheral switch for height
- Foot controller for Trendelenburg
- Hole headrest
- 4 retractable big wheels system for easier movement
- Paper roll holder

CERTIFICATIONS



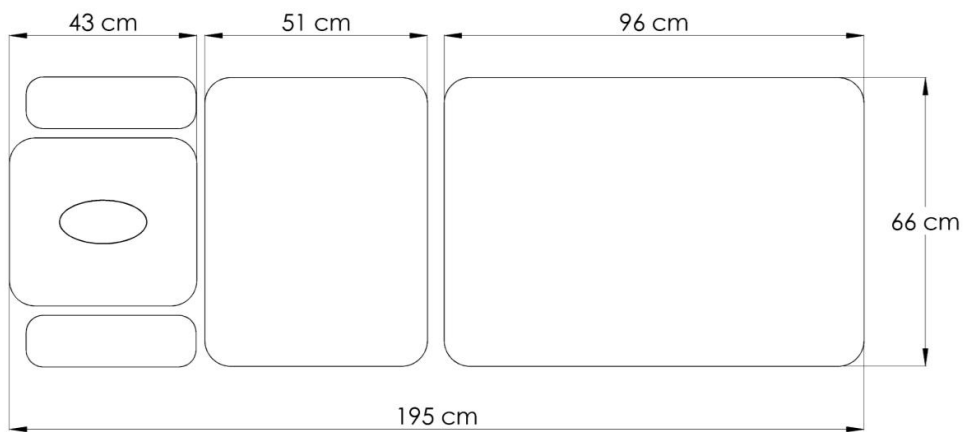
- Class I Medical Device. European regulation of medical devices (EU) 2017/745

Lomi

→
TECHNICAL DATA SHEET

CONFY CARE

→
REF. EL05
ELECTRIC TREATMENT TABLE



KG 250 kg
max

